

Accelerometer with Integral Cable TM0783A

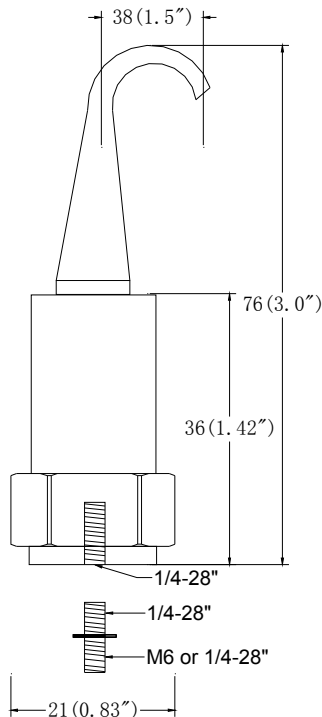
General Purpose, Industrial Piezoelectric Accelerometers

The TM0783A accelerometer kit consists of one accelerometer and one 3 meter cable. This accelerometer kit directly interfaces with PVTVM's signal conditioners: DTM, TR Transmitters, DM dual monitors and PT580 vibration switches to measure case vibration in acceleration or velocity.

Specifications

Electrical

Sensitivity:	100mV/g, @ 25°C, ±10%
Frequency Response:	0.5 - 10,000Hz (±3dB)
Acceleration Range:	50g
Isolation:	Fully isolated
Electrical Noise:	0.0007g
Power Requirement:	2 - 10mA constant current 18 - 30VDC
Bias Voltage:	10 - 14VDC
Resonance Frequency:	30 kHz
Maximum Transmission Distance:	300 meters (1,000feet)



Environmental and Physical

Temperature Range:	-50°C to +120°C
Environmental Protection:	IP67
Weight:	90 grams
Case Material:	Stainless steel
Mounting:	1/4-28UNF tapped hole
Installation Torque:	29N x M

Connection

A: Power (red)
B: COM (white)
Shield

Order Information

TM0783A-M

Accelerometer Includes:

- ✓ Accelerometer
- ✓ Mounting screw (1/4-28" to M6×1)
- ✓ 3m cable

TM0783A-E

Accelerometer Includes:

- ✓ Accelerometer
- ✓ Mounting screw (1/4-28" to 1/4-28")
- ✓ 3m cable

Accessories

- TM0710:** Mounting screw 1/4-28" - M6×1
- TM0711:** Mounting screw 1/4-28" - 1/4-28"
- TM0712:** Mounting screw 1/4-28" - M8
- TM0713:** Mounting screw 1/4-28" - M10