







PVTVM's Transmitter Selection Guide

Model Number	TR1101	TR3101 TR3102	TR4101 TR4102 TR4105	TR5102
				
Acceleration (g's)	•			
Velocity (ips/sec, mm/sec)	•			
Displacement (mils, um)	•	•	•	
Vibration Measurements				
Radial Vibration		TR3101	TR4101	
Axial Position		TR3102	TR4102	
Phase Reference			TR4102 TR4105	•
Speed			TR4105	•
Case Vibration	•			
Sensor Interfaces				
Built in Accelerometer				
Proximity Probe (5mm, 8mm, and 11mm)		•	•	•
Accelerometer	•			
Velocity Transducer	•			
Available Outputs				
4-20mA Output	•	•	•	•
Buffered Output (3 meters)			•	
Buffered Output (300 meters)	•	•		•
Available Features				
Loop Powered (2- Wire) Transmitter			•	
3-Wire Transmitter	•	•		•
Hazardous Rating (CSA, ATEX) Explosion Proof, Class I, Class II, Div.1, Groups (A-G), EExdIICT4				
Hazardous Rating (CSA, ATEX) Intrinsically Safe, EExialICT4			•	
Hazardous Rating (CSA), non-incendive, Class I, Div.2, Groups (A-D, T4)			•	
Environmental Rating- NEMA 4 or IP65				
Low Pass and High Pass Filter				
Warranty- 5 years	•	•	•	•

• = Complete Offering

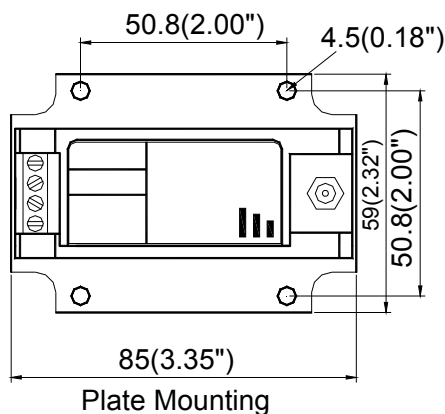
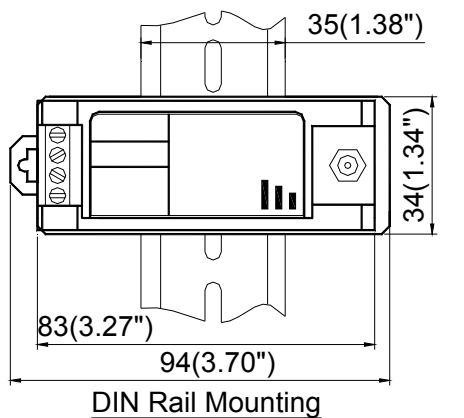


TR4105 Proximity Loop Powered Transmitter for Speed and Phase Reference

The TR4105 is a cost-effective solution for monitoring the speed on your balance of plant machines. The TR4105 combines the proximity probe driver and the signal conditioning circuit into one package. It works with a proximity probe and extension cable as a system.

Features

- ✓ Loop powered transmitter
- ✓ Does not require proximity probe driver
- ✓ Buffered output/ GAP
- ✓ Compatible with other manufacturers' proximity probes (5mm, 8mm)
- ✓ Aluminum cast case (copper free) with epoxy potting for better environmental protection and reliability
- ✓ Same size as a proximity probe driver



Specifications

Electrical

DCS or PLC Power Supply:

16-30VDC

Speed Response:

0 - 50,000 pulse per minute

Overall Vibration:

4-20mA

Connection:

Special 95Ω coaxial cable with connector.

Buffered Output/ GAP:

Raw speed and phase reference signal

Nominal: 2-18VDC

Impedance: 20 kΩ

Maximum cable distance: 3.0m (10ft)

Sensitivity: 8.0mV/um (200mV/mil) nominal

Electrical specifications continued

Maximum Load:

50×(Vs-16)

Where Vs is the system power supply

Physical

Height: 75mm (2.95")

Weight: 0.5 kg (1.0 lb)

Environmental

Temperature:

Operation: -40°C to +70°C

Storage: -40°C to +100°C

Humidity:

90% non-condensing



Order Information

* Factory default

Standard configuration:

TR4105-A01-E00-F00-G00

8mm probe:

TM0180-A07-B00-C05-D10

Extension cable:

TM0181-A40-B00

TR4105-AXX-EXX-FXX-GXX-SXX

AXX: Full Scale

A00: 0 ~ 1,000 rpm

A01*: 0 ~ 3,600 rpm

A02: 0 ~ 6,000 rpm

A03: 0 ~ 10,000 rpm

A04: 0 ~ 30,000 rpm

A05: 0 ~ 50,000 rpm

Axxxx: Customer Specify rpm

A99**: phase reference output

EXX: Probe and Cable (not included)

E00*: TM0180, 5m Cable

E01: TM0180, 9m Cable

E02: 8mm Probe, 3300, 5m Cable

E03: 8mm Probe, 3300, 9m Cable

E04: 8mm Probe, 7200, 5m Cable

E05: 8mm Probe, 7200, 9m Cable

E06: TM0105, 5m Cable

E07: TM0105, 9m Cable

E16: 3000, 190 Probe, 15 Feet Cable

E17: 3000, 190 Probe, 20 Feet Cable

E18: 3000, 300 Probe, 15 Feet Cable

E19: 3000, 300 Probe, 20 Feet Cable

E20: 7200, 5mm Probe, 5m Cable

E21: 7200, 5mm Probe, 9m Cable

FXX: Teeth per Revolution.

F00*: 1

F02: Customer specify, number of teeth =XX

GXX: Mount

G00*: DIN rail mount

G01: Plate mount

SXX: Hazardous Area

S00*: Without approval. CE

** This option has buffer output only for phase reference.

All other options will have 4-20mA and buffer output

TR4105 Accessories

The TR4105 requires a proximity probe and extension cable to work as a system.

TM0180: 8mm probe

TM0105: 5mm probe

TM0181: Extension cable

Field-Wiring Diagram

